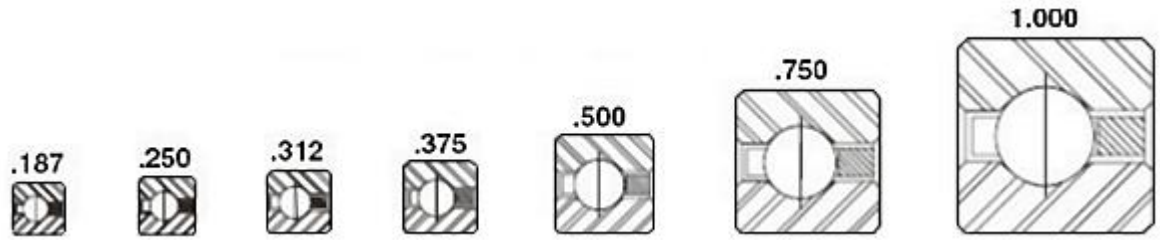
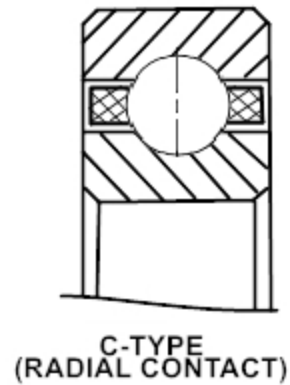
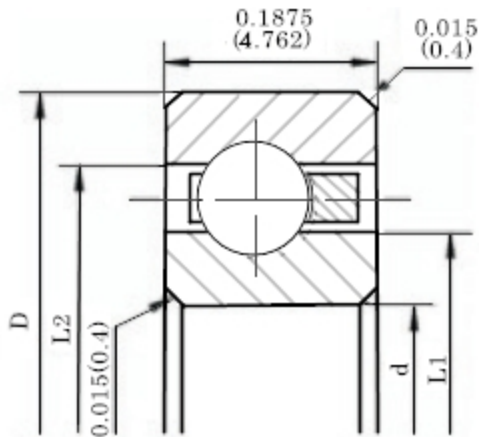


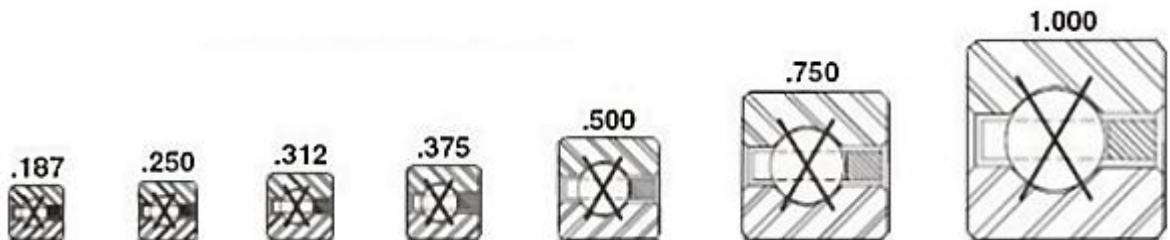
C 型四點接觸薄壁軸承



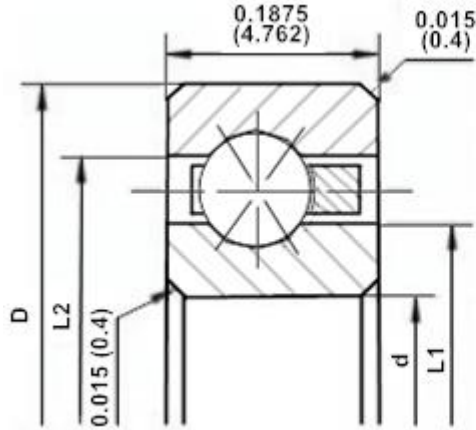
型號	KAA	KA	KB	KC	KD	KF	KG
截面	3/16"	1/4"	5/16"	3/8"	1/2"	3/4"	1"
尺寸:							



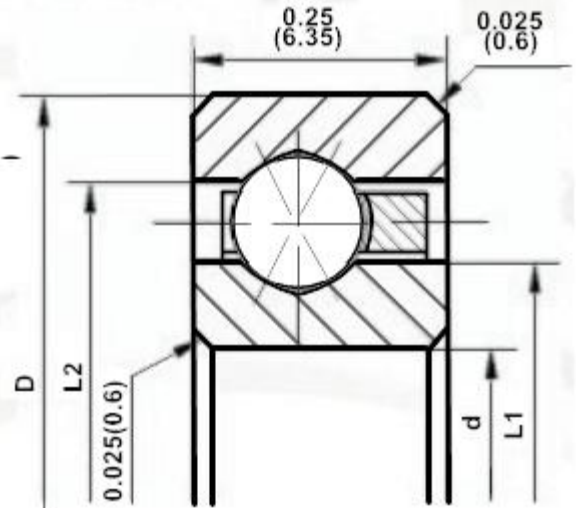
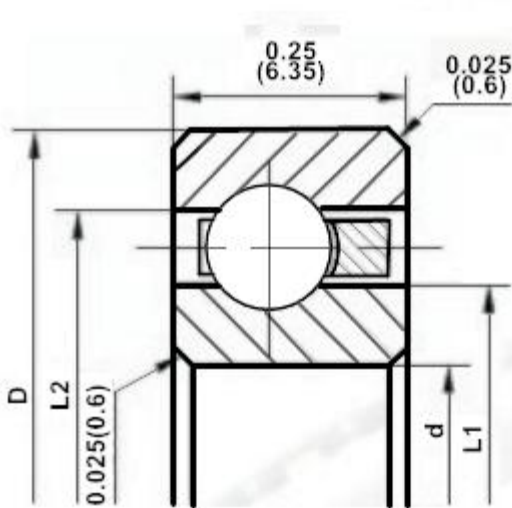
X 型四點接觸薄壁軸承



型號	KAA	KA	KB	KC	KD	KF	KG
截面	3/16"	1/4"	5/16"	3/8"	1/2"	3/4"	1"
尺寸:							



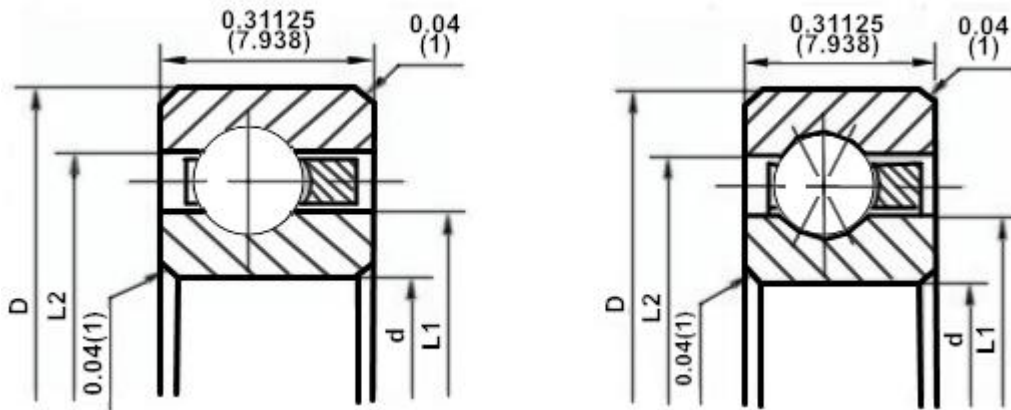
型號	DKAA 系列					對應型號		
	尺寸		額定承載力(N)		單重			
	(inch/mm)		徑向/推力(XPO)					
	d	D	Cor/Coa	Cr/Ca	Kg	NTN	KAYDON	INA
DKAA 10CP0/XP0	1/25.4	1.375/34.925	12290/3250	670/1650	0.012	KRS010 KXS010	KAA10CP0/ KAA10XP0	CSCAA010-TN CSXAA010-TN
DKAA 15CP0/XP0	1.5/38.1	1.875/47.625	1780/4450	800/2050	0.018	KRSS015 KXS015	KAA15CP0/ KAA15XP0	CSCAA015-TN CSXAA015-TN
DKAA 17CP0/XP0	1.75/44.45	2.125/53.975	2110/5650	1770/2450	0.02	KRS017 KXS017	KAA17CP0/ KAA17XP0	CSCAA017-TN CSXAA017-TN



信諾精密薄壁球軸承與進口軸承對應型號

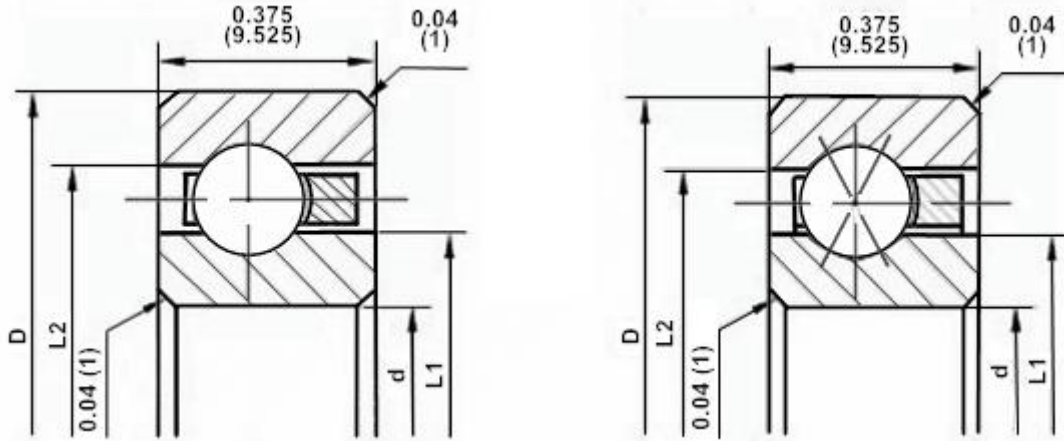
DKA 系列						對應型號		
型號	尺寸		額定承載力 (N)		單重			
	(inch / mm)		徑向/推力 (XP0)					
	d	D	Cor / Coa	Cr / Ca	Kg	NTN	KAYDON	INA
DKA020CPO / XP0	2.000	2.500	3020/7600	1420/3510	0.048	KRA020	K020CPO	CSCA020
	50.800	63.500				KXA020	KA020XPO	CSXA020
DKA025CPO / XP0	2.500	3.000	3690/9290	1600/4050	0.059	KRA025	KA025CPO	CSCA025
	63.500	76.200				KXZ025	KA025XPO	CSXZ025
DKA030CPO / CP0	3.000	3.500	4400/10980	1820/4490	0.068	KRA030	KA030CPO	CSCA030
	76.200	88.900				KXA030	KA030XPO	CSXA030
DKA035CPO / XP0	3.500	4.000	507/12670	2000/4930	0.082	KRA035	KA035CPO	CSCA035
	88.900	101.600				KXA035	KA035XPO	CSXA035
DKA040CPO / XP0	4.000	4.500	5730/14310	2130/5380	0.090	KRA040	KA040CPO	CSCA040
	101.600	114.300				KXA040	KA040XPO	CSXA040
DKA042CPO / CP0	4.500	4.750	6090/15610	2220/5600	0.095	KRA042	KA042CPO	CSCA042
	114.300	120.650				KXA042	KA042XPO	CSXA042
DKA045CPO / XP0	4.750	5.000	6400/16000	2310/5820	0.100	KRA045	KA045CPO	CSCA045
	120.650	127.000				KXA045	KA045XPO	CSXA045
DKA047CPO / XP0	5.000	5.250	6760/16850	2400/6000	0.104	KRA047	KA047CPO	CSCA047
	127.000	133.350				KXA047	KA047XPO	CSXA047
DKA050CPO / CP0	5.250	5.500	7070/17690	2490/6220	0.109	KRA050	KA050CPO	CSCA050
	133.350	139.700				KXA050	KA050XPO	CSXA050
DKA055CPO / XP0	5.500	6.000	7780/19380	2620/6580	0.118	KRA055	KA055CPO	CSCA055
	139.700	152.400				KXA055	KA055XPO	CSXA055
DKA060CPO / XP0	6.000	6.500	8450/21070	2800/6980	0.130	KRA060	KA060CPO	CSCA060
	152.400	165.100				KXA060	KA060XPO	CSXA060
DKA065CPO / CP0	6.500	7.000	9110/22760	2930/7330	0.140	KRA065	KA065CPO	CSCA065
	165.100	177.800				KXA065	KA065XPO	CSXA065
DKA070CPO / XP0	7.000	7.500	9780/24450	3070/7690	0.150	KRA070	KA070CPO	CSCA070
	177.800	190.500				KXA070	KA070XPO	CSXA070
DKA075CPO / XP0	7.500	8.000	10450/26140	3200/8050	0.0160	KRA075	KA075CPO	CSCA075
	190.500	203.200				KXA075	KA075XPO	CSXA075
DKA080CPO / CP0	8.000	8.500	11110/3070	3330/8400	0.172	KRA080	KA080CPO	CSCA080
	203.200	215.900				KXA080	KA080XPO	CSXA080

DKA090CPO / XPO	8.500	9.500	12490/31200	3600/9070	0.200	KRA090	KA090CPO	CSCA090
	215.900	241.300				KXA090	KA090XPO	CSXA090
DKA100CPO / XPO	9.500	10.500	13820/34580	3870/9690	0.227	KRA100	KA100CPO	CSCA100
	241.300	266.700				KXA100	KA100XPO	CSXA100
DKA110CPO / CPO	10.500	11.500	15160/37960	4130/10310	0.236	KRA110	KA110CPO	CSCA110
	266.700	292.100				KXA110	KA110XPO	CSXA110
DKA120CPO / CPO	12.000	12.500	16540/41340	4360/10890	0.254	KRA120	KA120CPO	CSCA120
	304.800	317.500				KXA120	KA120XPO	CSXA120



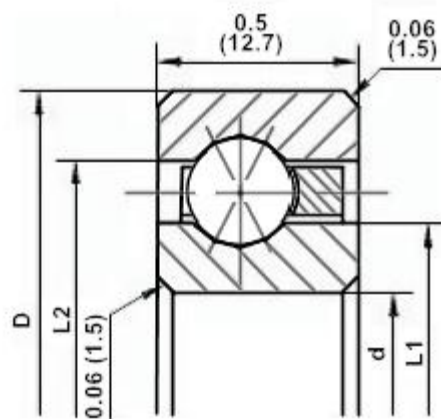
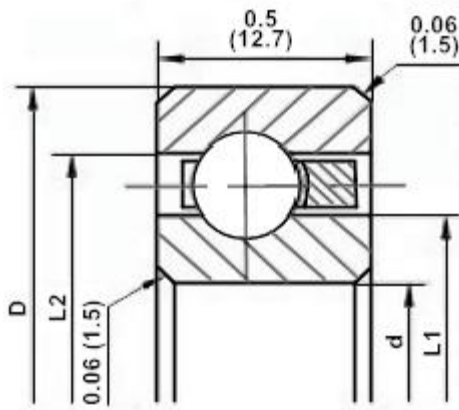
DKB 系列						對應型號		
型號	尺寸		額定承載力 (N)		單重			
	(inch / mm)		徑向/推力 (XPO)					
	d	D	Cor / Coa	Cr / Ca	Kg	NTN	KAYDON	INA
DKB020CPO / CPO	2.000	2.625	4130/10400	2000/5020	0.073	KRB020	KB020CPO	CSCB020
	50.800	66.675				KXB020	KB020XPO	CSXB020
DKB025CPO / CPO	2.500	3.125	5070/12620	2310/5730	0.091	KRB025	KB025CPO	CSCB025
	63.500	79.375				KXB025	KB025XPO	CSXB025
DKB030CPO / CPO	3.000	3.625	5960/14890	2580/6400	0.109	KRB030	KB030CPO	CSCB030
	76.2000	92.075				KXB030	KB030XPO	CSXB030
DKB035CPO / CPO	3.500	4.125	6850/17160	2800/7070	0.125	KRB035	KB035CPO	CSCB035
	88.900	104.775				KXB035	KB035XPO	CSXB035
DKB040CPO / CPO	4.000	4.625	7780/19430	3070/7650	0.140	KRB040	KB040CPO	CSCB040
	101.600	117.475				KXB040	KB040XPO	CSXB040
DKB042CPO / CPO	4.250	4.875	8130/20310	3160/7910	0.147	KRB042	KB042CPO	CSCB042
	107.950	123.825				KXB042	KB042XPO	CSXB042
DKB045CPO / CPO	4.500	5.125	8670/21690	3290/8220	0.160	KRB045	KB045CPO	CSCB045
	114.300	130.175				KXB045	KB045XPO	CSXB045

DKB047CPO / CP0	4.750	5.375	9020/22580	3380/8450	0.163	KRB047	KB047CPO	CSCB047
	120.650	136.525				KXB047	KB047XPO	CSXB047
DKB050CPO / CP0	5.000	5.625	9560/23910	3510/8800	0.172	KRB050	KB050CPO	CSCB050
	127.000	142.875				KXB050	KB050XPO	CSXB050
DKB055CPO / CP0	5.500	6.125	10490/26180	3730/9340	0.186	KRB055	KB055CPO	CSCB055
	139.700	155.575				KXB055	KB055XPO	CSXB055
DKB060CPO / CP0	6.000	6.625	11380/28450	3960/9870	0.205	KRB060	KB060CPO	CSCB060
	152.400	168.275				KXB060	KB060XPO	CSXB060
DKB065CPO / CP0	6.500	7.125	12273/30720	4130/10400	0.216	KRB065	KB065CPO	CSCB065
	165.100	180.975				KXB065	KB065XPO	CSXB065
DKB070CPO / CP0	7.2	7.625	13200/32980	4360/10890	0.232	KRB070	KB070CPO	CSCB070
	177.800	193.675				KXB070	KB070XPO	CSXB070
DKB075CPO / CP0	7.500	8.125	14090/35200	4530/11380	0.250	KRB075	KB075CPO	CSCB075
	190.500	206.385				KXB075	KB075XPO	CSXB075
DKB080CPO / CP0	8.000	8.625	14980/37470	4790/11870	0.262	KRB080	KB080CPO	CSCB080
	203.200	219.075				KXB080	KB080XPO	CSXB080
DKB090CPO / CP0	9.000	9.625	16800/42000	5110/12800	0.300	KRB090	KB090CPO	CSCB090
	228.600	244.475				KXB090	KB090XPO	CSXB090
DKB100CPO / CP0	10.000	10.625	18620/46500	5470/13690	0.331	KRB100	KB100CPO	CSCB100
	254.000	269.875				KXB100	KB100XPO	CSXB100
DKB110CPO / CP0	11.000	11.625	20400/51030	5820/14580	0.360	KRB110	KB110CPO	CSCB110
	279.400	295.275				KXB110	KB110XPO	CSXB110
DKB120CPO / CP0	12.000	12.625	22230/55560	6180/15420	0.390	KRB120	KB120CPO	CSCB120
	304.800	320.675				KXB120	KB120XPO	CSXB120
DKB140CPO / CP0	14.000	14.625	25830/64590	6800/17070	1.476	KRB140	KB140CPO	CSCB140
	355.600	371.475				KXB140	KB140XPO	CSXB140
DKB160CPO / CP0	16.000	16.625	29430/73610	7420/18630	0.544	KRB160	KB160CPO	CSCB160
	406.400	422.275				KXB160	KB160XPO	CSXB160
DKB180CPO / CP0	18.000	18.625	33070/82630	8050/20090	0.612	KRB180	KB180CPO	CSCB180
	457.200	473.075				KXB180	KB180XPO	CSXB180
DKB200CPO / CP0	20.000	20.625	36670/91660	8620/21560	0.68	KRB200	KB200CPO	CSCB200
	508.000	523.875				KXB200	KB200XPO	CSXB200



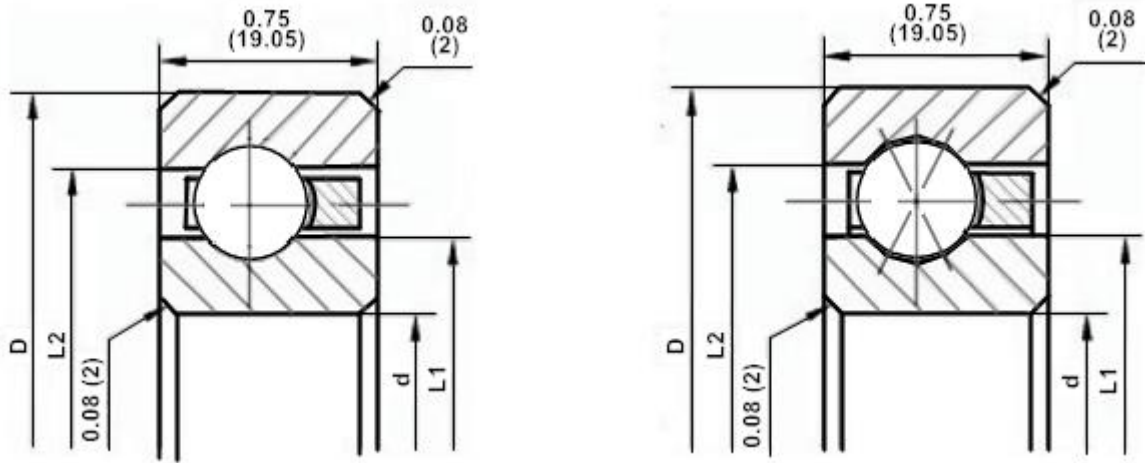
DKC 系列						對應型號		
型號	尺寸		額定承載力 (N)		單重			
	(inch / mm)		徑向/推力 (XP0)					
	d	D	Cor / Coa	Cr / Ca	Kg	NTN	KAYDON	INA
DKC040CPO / CP0	4.000	4.750	9330/23380	3910/9820	0.204	KRC040	KC040CPO	CSCC040
	101.600	120.650				KXB040	KC040XPO	CSXC040
DKC042CPO / CP0	4.250	5.000	9780/24710	4090/10180	0.213	KRC042	KC042CPO	CSCC042
	107.950	127.000				KXB042	KC042XPO	CSXC042
DKC045CPO / CP0	4.500	5.250	10400/26505	4220/10580	0.225	KRC045	KC045CPO	CSCC045
	114.300	133.350				KXC045	KC045XPO	CSXC045
DKC047CPO / CP0	4.750	5.000	10930/27380	4360/10940	0.2352	KRC047	KC047CPO	CSCC047
	120.650	139.700				KXB047	KC047XPO	CSXC
DKC050CPO / CP0	5.000	5.750	11510/28720	4490/11290	0.263	KRC050	KC050CPO	CSCC050
	127.000	146.050				KXB050	KC050XPO	CSXC050
DKC055CPO / CP0	5.500	6.250	12580/31380	4800/11960	0.268	KRC055	KC055CPO	CSCC055
	139.700	158.750				KXC055	KC055XPO	CSXC055
DKC060CPO / CP0	6.000	6.750	13650/34050	5070/12620	0.295	KRC060	KC060CPO	CSCC060
	152.400	171.450				KXC060	KC060XPO	CSXC060
DKC065CPO / CP0	6.5	7.250	14710/36760	5330/13290	0.312	KRC065	KC065CPO	CSCC065
	165.100	184.150				KXC065	KC065XPO	CSXC065
DKC070CPO / CP0	7.000	7.750	15780/39430	5560/13910	0.340	KRC070	KC070CPO	CSCC070
	177.800	196.850				KXC070	KC070XPO	CSXC070
DKC075CPO / CP0	7.500	8.250	16850/42090	5820/14540	0.360	KRC075	KC075CPO	CSCC075
	190.500	209.550				KXC075	KC075XPO	CSXC075
DKC080CPO / CP0	8.000	8.780	17910/44760	6050/15160	0.387	KRC080	KC080CPO	CSCC080
	203.200	222.250				KXC080	KC080XPO	CSXC080

DKC090CPO / CP0	9.000	9.750	20050/50100	6530/16310	0.450	KRC090	KC090CPO	CSCC090
	228.600	247.650				KXC090	KC090XPO	CSXC090
DKC100CPO / CP0	10.000	10.750	22180/55430	6980/17470	0.481	KRC100	KC100CPO	CSCC100
	254.000	283.505				KXC100	KC100XPO	CSXC100
DKC110CPO / CP0	11.000	11.750	24310/60810	7420/18580	0.526	KRC110	KC110CPO	CSCC110
	279.400	298.450				KXC110	KC110XPO	CSXC110
DKC120CPO / CP0	12.000	12.750	26450/66140	7870/19650	0.567	KRC120	KC120CPO	CSCC120
	304.800	323.850				KXC120	KC120XPO	CSXC120
DKC140CPO / CP0	14.000	14.750	30720/76810	8670/21740	0.689	KRC140	KC140CPO	CSCC140
	355.600	374.650				KXC140	KC140XPO	CSXC140
DKC160CPO / CP0	16.000	16.750	35030	9470	0.785	KRC160	KC160CPO	CSCC160
	406.400	425.450						
DKC180CPO / CP0	18.000	18.750	39290/98190	10220/25600	0.880	KRC180	KC180CPO	CSCC180
	457.200	476.250				KXC180	KC180XPO	CSXC180
DKC200CPO / CP0	14.000	14.750	30725/76810	8670/21740	0.980	KRC200	KC200CPO	CSCC200
						KXC200	KC200XPO	CSXC200



DKD 系列						對應型號		
型號	尺寸		額定承載力 (N)		單重			
	(inch / mm)		徑向/推力 (XP0)					
	d	D	Cor / Coa	Cr / Ca	Kg	NTN	KAYDON	INA
DKD040CPO / XP0	4.000	5.000	13690/34230	6270/15650	0.366	KRD040	KD040CPO	CSCD040
	101.600	127.2				KXD040	KD040XPO	CSXD040
DKD042CPO / XP0	4.250	5.250	14180/35470	6400/16000	0.386	KRD042	KD042CPO	CSCD042
	107.950	133.350				KXD042	KD042XPO	CSXD042
DKD045CPO / XP0	4.500	5.500	15200/38010	6710/16760	0.405	KRD045	KD045CPO	CSCD045
	114.300	139.700				KXD045	KD045XPO	CSXD045

DKD047CPO / XP0	4.750	5.750	15690/39290	6850/17160	0.426	KRD047	KD047CPO	CSCD047
	120.650	146.050				KXD047	KD047XP0	CSXD047
DKD050CPO / XP0	5.000	6.000	16710/41830	7160/17870	0.454	KRD050	KD050CPO	CSCD050
	127.000	152.400				KXD050	KD050XP0	CSXD050
DKD055CPO / XP0	5.500	6.500	18230/45610	7560/18940	0.485	KRD055	KD055CPO	CSCD055
	139.700	165.100				KXD055	KD055XP0	CSXD055
DKD060CPO / XP0	6.000	7.000	19780/49430	8000/19960	0.526	KRD060	KD060CPO	CSCD060
	152.400	177.800				KXD060	KD060XP0	CSXD060
DKD065CPO / XP0	6.500	7.500	21290/53210	8400/21980	0.566	KRD065	KD065CPO	CSCD065
	165.100	190.500				KXD065	KD065XP0	CSXD065
DKD070CPO / XP0	7.000	8.000	22800/57030	8800/21960	0.606	KRD070	KD070CPO	CSCD070
	177.800	203.200				KXD070	KD070XP0	CSXD070
DKD075CPO / XP0	7.500	8.500	24310/60810	9160/22940	0.650	KRD075	KD075CPO	CSCD075
	190.500	215.900				KXD075	KD075XP0	CSXD075
DKD080CPO / XP0	8.000	9.000	25830/64630	9560/23870	0.694	KRD075	KD075CPO	CSCD075
	203.200	228.600				KXD075	KD075XP0	CSXD075
DKD090CPO / XP0	9.000	10.000	28890/72230	10310/25740	0.780	KRD090	KD090CPO	CSCD090
	228.600	254.000				KXD090	KD090XP0	CSXD090
DKD100CPO / XP0	10.000	11.000	31920/79830	10980/27520	0.853	KRD100	KD100CPO	CSCD100
	254.000	279.400				KXD100	KD100XP0	CSXD100
DKD110CPO / XP0	11.000	12.000	34980/87430	11690/29200	0.934	KRD110	KD110CPO	CSCD110
	279.400	304.800				KXD110	KD110XP0	CSXD110
DKD120CPO / XP0	12.000	13.000	38010/95030	12360/30890	1.020	KRD120	KD120CPO	CSCD120
	304.800	330.200				KXD120	KD120XP0	CSXD120
DKD140CPO / XP0	14.000	15.000	44090/110240	13650/34090	1.240	KRD140	KD140CPO	CSCD140
	355.600	381.000				KXD140	KD140XP0	CSXD140
DKD160CPO / XP0	16.000	17.000	50180/125440	14890/37160	1.410	KRD160	KD160CPO	CSCD160
	406.400	431.800				KXD160	KD160XP0	CSXD160
DKD180CPO / XP0	18.000	19.000	56230/140640	16050/40140	1.580	KRD180	KD180CPO	CSCD180
	457.200	482.600				KXD180	KD180XP0	CSXD180
DKD200CPO / XP0	20.000	21.000	62320/155840	17200/42980	1.750	KRD200	KD200CPO	CSCD200
	508.000	533.400				KXD200	KD200XP0	CSXD200



DKF 系列						對應型號		
型號	尺寸		額定承載力 (N)		單重			
	(inch / mm)		徑向/推力 (XP0)					
	d	D	Cor / Coa	Cr / Ca	Kg	NTN	KAYDON	INA
DKF040CPO / XP0	4.000	5.500	23830/59560	12130/30360	0.875	KRF040	KF040CPO	CSCF040
	101.600	139.700				KXF040	KF040XPO	CSXF040
DKF042CPO / XP0	4.250	5.750	25070/62720	12580/31430	0.930	KRF0042	KF042CPO	CSCF042
	107.950	146.050				KXF042	KF042XPO	CSXF042
DKF045CPO / XP0	4.500	6.000	26360/65830	12980/32450	0.975	KRF045	KF045CPO	CSCF045
	114.300	152.400				KXF045	KF045XPO	CSXF045
DKF047CPO / XP0	4.750	6.250	27600/6890	13380/33470	1.040	KRF047	KF047CPO	CSCF047
	120.650	158.750				KXF047	KF047XPO	CSXF047
DKF050CPO / XP0	5.000	6.500	28850/72100	13780/34490	1.090	KRF050	KF050CPO	CSCF050
	127.000	165.100				KXF050	KF050XPO	CSXF050
DKF055CPO / XP0	5.500	7.000	31340/78370	14580/36450	1.180	KRF055	KF055CPO	CSCF055
	139.700	177.800				KXF055	KF055XPO	CSXF055
DKF060CPO / XP0	6.000	7.500	33870/84680	15340/38360	1.240	KRF060	KF060CPO	CSCF060
	152.400	190.500				KXF060	KF060XPO	CSXF060
DKF065CPO / XP0	6.500	8.000	36360/90950	16090/40230	1.350	KRF065	KF065CPO	CSCF065
	165.100	203.200				KXF065	KF065XPO	CSXF065
DKF070CPO / XP0	7.000	8.500	38890/64210	06850/42050	1.450	KRF070	KF070CPO	CSCF070
	177.800	215.900				KXF070	KF070XPO	CSXF070
DKF075CPO / XP0	7.500	9.000	41380/103480	17560/43870	1.560	KRF075	KF075CPO	CSCF075
	190.500	228.600				KXF075	KF075XPO	CSXF075
DKF080CPO / XP0	8.000	9.500	43920/109750	18230/45610	1.660	KRF080	KF080CPO	CSCF080
	203.200	241.300				KXF080	KF080XPO	CSXF080

DKF090CPO / XP0	9.000	10.500	48900/122280	19600/49030	1.810	KRF090	KF090CPO	CSCF090
	228.600	266.700				KXF090	KF090XPO	CSXF090
DKF100CPO / XP0	10.000	11.500	53920/134820	20940/52320	2.020	KRF100	KF100CPO	CSCF100
	254.000	292.100				KXF100	KF100XPO	CSXF100
DKF110CPO / XP0	11.000	12.500	58940/147350	22230/55520	2.180	KRF110	KF110CPO	CSCF110
	279.400	317.500				KXF110	KF110XPO	CSXF110
DKF120CPO / XP0	12.000	13.500	63960/159890	23470/58630	2.380	KRF120	KF120CPO	CSCF120
	304.800	342.900				KXF120	KF120XPO	CSXF120
DKF140CPO / XP0	14.000	15.500	74010/185000	25830/64590	2.720	KRF140	KF140CPO	CSCF140
	355.600	393.700				KXF140	KF140XPO	CSXF140
DKF160CPO / XP0	16.000	17.500	84010/210070	28140/70320	3.220	KRF160	KF160CPO	CSCF160
	406.400	444.500				KXF160	KF160XPO	CSXF160
DKF180CPO / XP0	18.000	19.500	94060/235140	30320/75830	3.580	KRF180	KF180CPO	CSCF180
	457.200	495.300				KXF180	KF180XPO	CSXF180
DKF200CPO / XP0	20.000	21.500	104100/260260	32450/81120	4.040	KRF200	KF200CPO	CSCF200
	508.000	546.100				KXF200	KF200XPO	CSXF200
DKF250CPO / XP0	25.000	27.000	199998/499996	68373/158293	7.530	KRF250	KF250CPO	CSCF250
	635.000	685.800				KXF250	KF250XPO	CSXF250
DKF300CPO / XP0	30.000	32.000	238471/596059	74803/177974	7.530	KRF300	KF300CPO	CSCF300
	762.000	812.8				KXF300	KF300XPO	CSXF300
DKF350CPO / XP0	35.000	37.000	276943/692122	80576/196671	7.530	KRF350	KF350CPO	CSCF350
	889.000	939.800				KXF350	KF350XPO	CSXF350